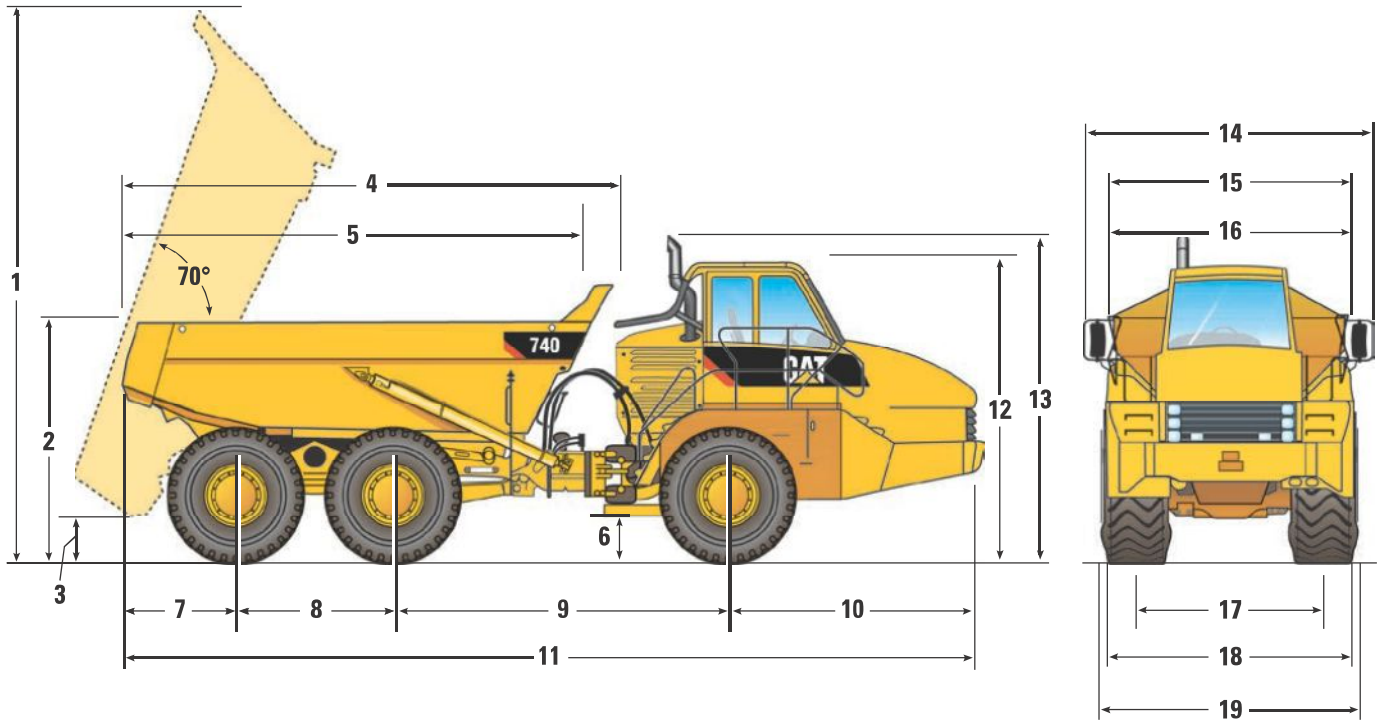


## Dimensions



	mm	ft		mm	ft
<b>1</b>	7092	23.4	<b>11</b>	10 889	35.7
<b>2</b>	3239	10.6	<b>12</b>	3745	12.3
<b>3</b>	697	2.3	<b>13**</b>	4049	13.3
<b>4</b>	6288	20.6	<b>14</b>	3823	12.5
<b>5*</b>	5734	18.8	<b>15***</b>	3705	12.14
<b>6</b>	577	1.8	<b>16</b>	3418	11.2
<b>7</b>	1458	4.7	<b>17</b>	2687	8.8
<b>8</b>	1966	6.4	<b>18</b>	3430	11.2
<b>9</b>	4244	13.9	<b>19****</b>	3520	11.5
<b>10</b>	3221	10.5			

\*Inside of body.

\*\*Exhaust stack can be removed for transportation.

\*\*\*If equipped with a scissor tailgate.

\*\*\*\*Max-unladen over tire bulge.